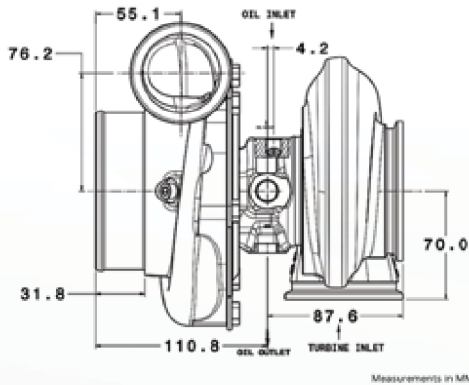


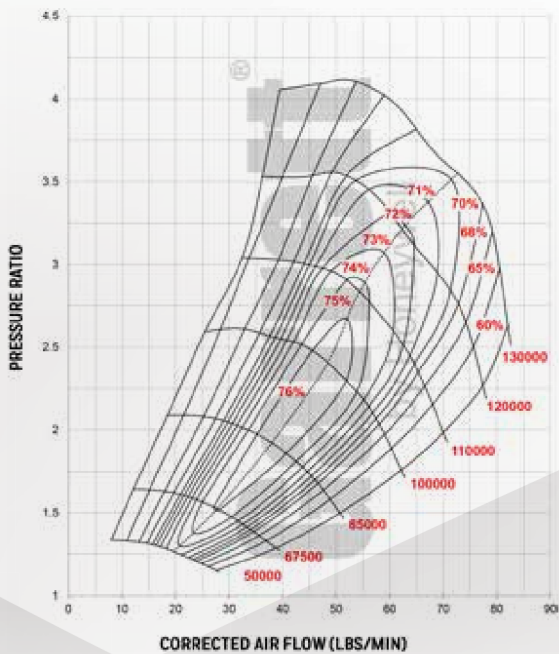
GTX3582R GEN II NEW PRODUCT

Honeywell

Horsepower: 450 - 850
Displacement: 2.0L - 4.5L



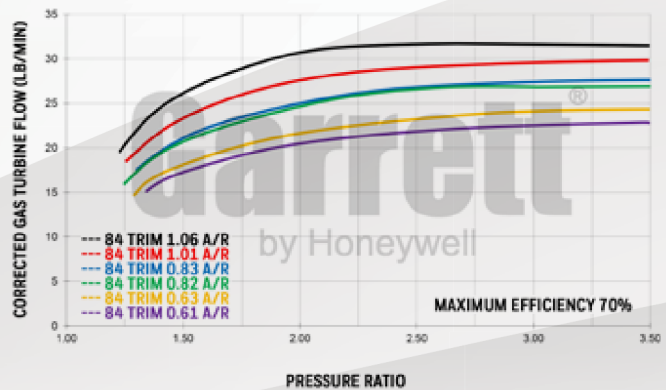
COMPRESSOR MAP



FEATURES:

- ◆ GEN 2 AERODYNAMICS FEATURE INCREASED HORSEPOWER RANGE
- ◆ NEW FULLY-MACHINED SPEED SENSOR PORT. DETAILS ON PG. 56
- ◆ SOLD AS ASSEMBLY KITS (SUPER CORE + TURBINE KIT)
- ◆ NEW REVERSE ROTATION OPTIONS AVAILABLE

EXHAUST FLOW CHART



| Super Core Reference Data | | Compressor | | | | Turbine | | |
|---|-----------------|---------------|----------------|------|--------|---------|------------|---------|
| | | Inducer | Exducer | Trim | A/R | Inducer | Exducer | Trim |
| GTX3582R Standard Rotation | | 66mm | 82mm | 64 | 0.70 | 68mm | 62mm | 84 |
| GTX3582R Reverse Rotation | | 66mm | 82mm | 64 | 0.70 | 68mm | 62mm | 84 |
| Notes: | Assembly Kit PN | Super Core PN | Turbine Kit PN | A/R | Inlet | Outlet | Wastegate | Divided |
| Assembly Kit PN Includes Super Core and Turbine Kit | 856801-5069S | 851154-5004S | 740902-0012 | 0.63 | T3 | V-Band | Free Float | N |
| | 856801-5068S | 851154-5004S | 740902-0011 | 0.82 | T3 | V-Band | Free Float | N |
| | 856801-5067S | 851154-5004S | 740902-0010 | 1.06 | T3 | V-Band | Free Float | N |
| | 856801-5072S | 851154-5004S | 740902-0018 | 0.63 | T4 | V-Band | Free Float | N |
| | 856801-5071S | 851154-5004S | 740902-0017 | 0.82 | T4 | V-Band | Free Float | N |
| | 856801-5070S | 851154-5004S | 740902-0016 | 1.06 | T4 | V-Band | Free Float | N |
| | 856801-5081S | 851154-5004S | 740902-0033 | 0.61 | V-Band | V-Band | Free Float | N |
| | 856801-5080S | 851154-5004S | 740902-0032 | 0.83 | V-Band | V-Band | Free Float | N |
| Reverse Rotation Configuration | 856801-5079S | 851154-5004S | 740902-0031 | 1.01 | V-Band | V-Band | Free Float | N |
| | 856803-5004S | 844626-5004S | 740902-0056 | 0.61 | V-Band | V-Band | Free Float | N |
| | 856803-5005S | 844626-5004S | 740902-0057 | 0.83 | V-Band | V-Band | Free Float | N |
| | 856803-5006S | 844626-5004S | 740902-0058 | 1.01 | V-Band | V-Band | Free Float | N |

Garrett
by Honeywell